



THE **INDUSTRY** RANGE

2023 - 2024



HÄFELE - WHERE TRUST WAS BUILT FROM COMPETENCE.

Founded in Germany in 1923, Häfele is a renowned provider of smart home and project solutions with 150 subsidiaries and sales offices around the world. Häfele's superior range of products which exemplifies German quality standards is developed with the philosophy of "functionality" and "easiness" in mind to be reliable solutions for both professionals and consumers.

Since the establishment in Vietnam in 1998, Häfele has been continuously improving and expanding its products and services, making the key components of Vietnamese homes - door security, kitchen, wardrobe, and bathroom - much more efficient spaces.

As Häfele celebrates its 100th birthday in 2023, the Häfele Group is looking forward with great confidence, ambitious plans, and stronger than ever commitments to maintaining the guaranteed seal of the German quality benchmark. In Vietnam, Häfele looks to be the trusted provider for complete home solutions of the German quality for Vietnamese people.



HÄFELE PRODUCTION AND DISTRIBUTION WORLDWIDE



Häfele Headquarters
Nagold, Germany



Häfele Distribution Centre
Nagold, Germany



Häfele Production Plant
Budapest, Hungary



Häfele Production Plant
Jettingen, Germany



Häfele Production Plant
Kenzingen, Germany



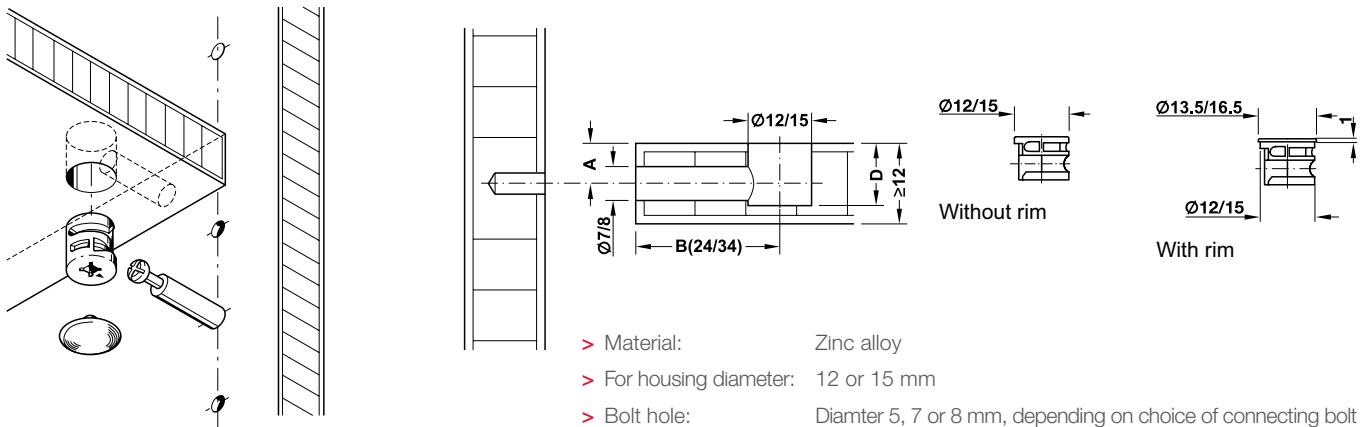
Häfele Production Plant
Berlin, Germany

CONNECTORS



IXCONNECT CABINET CONNECTORS

HÄFELE MINIFIX®



- > Material: Zinc alloy
- > For housing diameter: 12 or 15 mm
- > Bolt hole: Diameter 5, 7 or 8 mm, depending on choice of connecting bolt
- > Drilling dim. B: Distance from centre of Minifix® housing to shelf front edge (24 or 34 mm) depending on choice of connecting bolt
- > For all connecting bolts from the Minifix® system

Minifix® 15 without rim, wood thickness from 15 mm



- > Drive: PZ2 cross slot, flat blade or SW4 hexagon socket

For wood thickness (mm)	Drilling depth D (mm)	Dim. A (mm)	Packing (pcs)	Nickel plated	Nickel coloured
From 15	12.0 ^{+0.5}	7.5	100 or 2.000	262.26.532	262.26.132
From 16	12.5 ^{+0.5}	8	100 or 2.000	262.26.533	262.26.133
From 18	13.5 ^{+0.5}	9	100 or 2.000	262.26.534	262.26.134
From 19	14.0 ^{+0.5}	9.5	100 or 2.000	262.26.535	262.26.135
From 23	16.5 ^{+0.5}	11.5	100 or 1.000	262.26.536	-
From 26	18.0 ^{+0.5}	13	100 or 1.000	262.26.537	-
From 29	19.5 ^{+0.5}	14.5	100 or 1.000	262.26.538	-

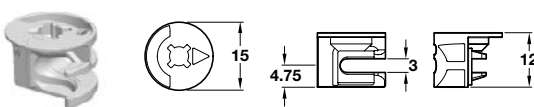
Cover caps, for Minifix® 15 without rim, wood thickness from 15 mm



Material	Material	Art.No.
Plastic	Brown RAL 8007	262.24.153
	Dark Grey RAL 7037	262.24.550
	Pine coloured	262.24.055
	Black RAL 9005	262.24.359
	White RAL 9010	262.24.751
	Light Grey RAL 7035	262.24.555

Packing: 500 or 5.000 pcs.

Minifix® 15 without rim, wood thickness from 15 mm

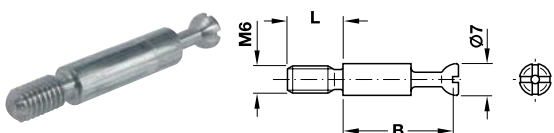


- > Drive: PZ2 cross slot, flat blade or SW4 hexagon socket

For wood thickness	Drilling depth D	Dim. A	Bright zinc plated
From 15 mm	11.8 ^{+0.1} mm	7.5 mm	262.26.042

Packing: 160.000 pcs.

S100 connecting bolt with thread M6



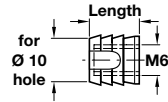
Panel thickness W	Drilling distance B	Art.No.
12 mm	24 mm	262.27.941

Packing: 100 or 1.000 pcs.

HÄFELE MINIFIX®

S200 CONNECTING BOLT

Glue-in sleeve, M6 internal thread

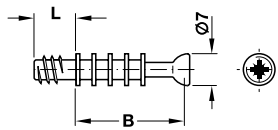


- > For Ø 10 mm hole
- > With grooves for glue

Material	Length	Outer Ø	Art.No.
Plastic	9 mm	10 mm	039.33.364
	11 mm	10 mm	039.33.266
	13 mm	10 mm	039.33.060

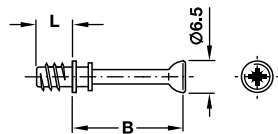
Packing: 100 or 1.000 pcs.

M200 connecting bolt



Thread	Thread length L	Drilling dim.B	Galvanized
M6	7.5	34	262.28.642
Direct fixing	11	34	262.28.624

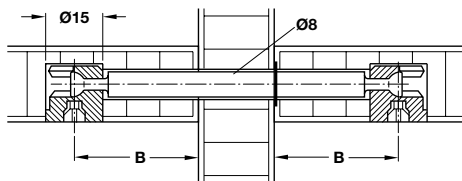
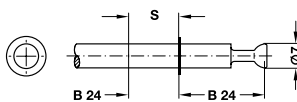
Packing: 100 or 2.000 pcs.



Thread	Thread length L	Drilling dim.B	Galvanized
M6	8.5	34	262.28.615

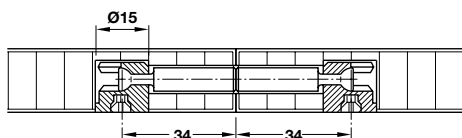
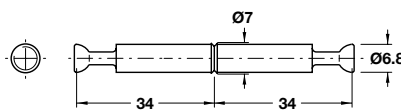
Packing: 100 pcs.

Double-ended bolt



Panel thickness W (mm)	Drilling distance B (mm)	Art. No.
16	24	262.27.805

Packing: 100 or 500 pcs.

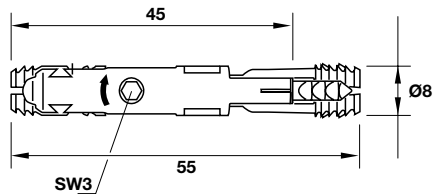


Drilling distance B (mm)	Art. No.
34	262.28.786

Packing: 100 or 500 pcs

HÄFELE IXCONNECT

SC 8/60 SPREADING CONNECTOR



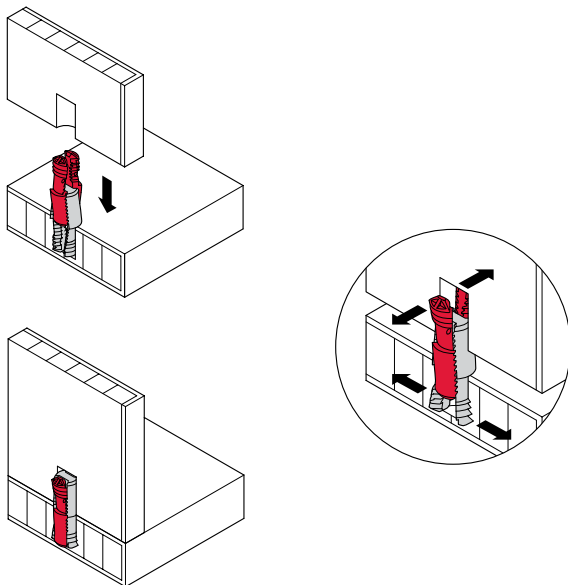
- > Material: Plastic/zinc alloy
- > Finish/colour: Red/grey
- > Area of application: For concealed installation of cabinet connections in chipboard
- > For wood thickness: From 15 mm
- > Installation: Plug fitting into drill hole Ø8 mm without tools, the connector expands with a 180° turn of the tightening screw with SW3 hexagon socket.

- > One-piece connector
- > Can also be used as cabinet connector for large furniture items
- > Quick and easy installation
- > For concealed applications, only a Ø6 mm drill hole for securing the connector is visible after installation
- > Separable connection

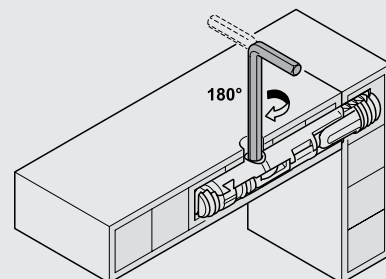


Color	Art. No.
Red/grey	262.11.117

Packing: 100 or 2.000 pcs.

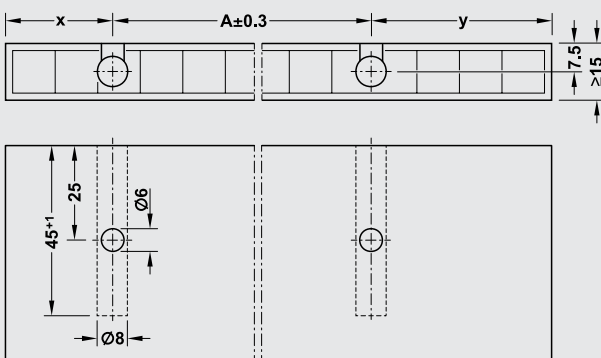


Installation



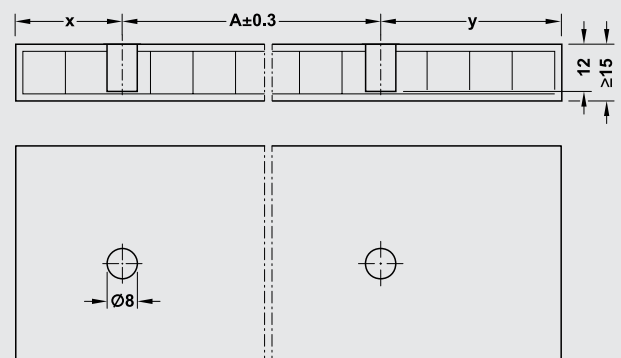
1. Join components using connector
2. Turn by 180°: The connector expands and the components are pulled together

Drilling pattern



Shelf preparation details: Drill Ø8 mm hole
The Ø6 mm drill hole can be drilled from above or underneath

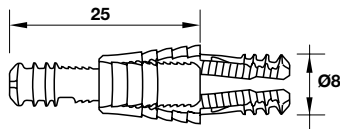
Drilling pattern



Side panel preparation details

HÄFELE IXCONNECT

SC 8/25 SPREADING CONNECTOR



- > Area of application: For concealed, not removable cabinet connections in small furniture items and drawers, for use in MDF board and chipboard in combination with wooden dowels
- > For wood thickness: From 15 mm
- > Installation: For press fitting into drill hole Ø8 mm without tools, can also be glued (optional)
- > Functionality: Both connector components expand synchronously in the drill hole when joining both panel components, the connector is fixed into end position with a gentle tap on the panel components

- > One-piece connector
- > Can be used as cabinet connector in small furniture items
- > Quick and easy installation without tools
- > For use in 8 mm drill hole
- > For concealed applications



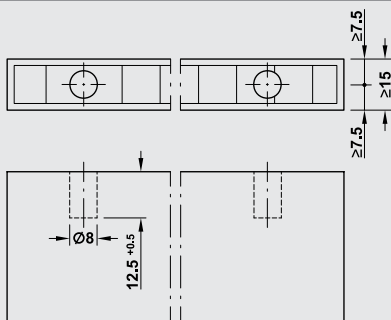
Note

- > The use in combination with wooden dowel 6x30 is recommended
- > Recommended furniture size:
- > Furniture circumference: 2 x height + 2 x width < 3 m
- > Depth < 40 cm

Color	Art. No.
Red/grey	262.11.112

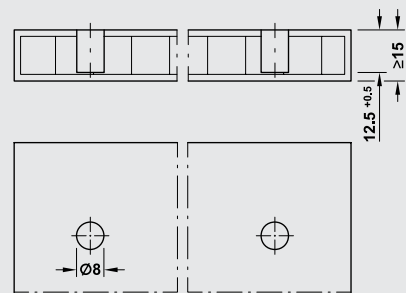
Packing: 100 or 2.000 or 160.000 pcs.

Drilling pattern



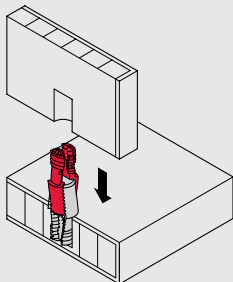
Drill hole on front edge

Drilling pattern

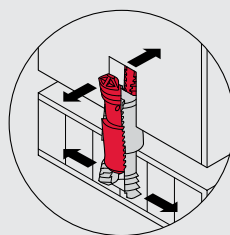


Drill hole on surface

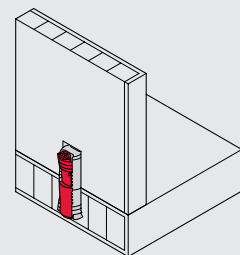
Installation



1. Push connector into drill hole



2. Join both panel components; both connector components expand synchronously in the drill hole



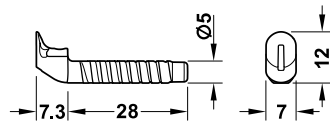
3. Completely concealed, not removable connection

HÄFELE IXCONNECT
CC 8/5/30 CLAW CONNECTOR

For fixing front panels of wooden drawers



- > One-piece connector
- > Suitable for thin front panels
- > Concealed application
- > Easy assembly without tools
- > Removable

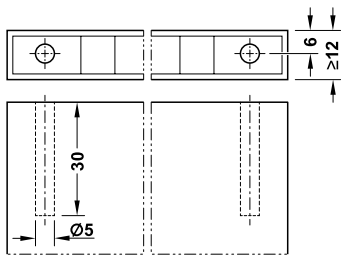


- > Area of application: For fixing front panels of wooden drawers, for use with chipboard
- > For wood thickness: Front panel and drawer sides: From 12 mm
- > For drill hole: Ø5 mm, Ø8 mm
- > Installation: Pre-assembly in the drawer side by screwing or press fitting the connector into the 5 mm drill hole, the connector grips into the 8 mm drill hole of the front panel when the drawer side is raised
- > Functionality: The connector grips into the front panel when the drawer side is raised and thus provides a secure, concealed connection

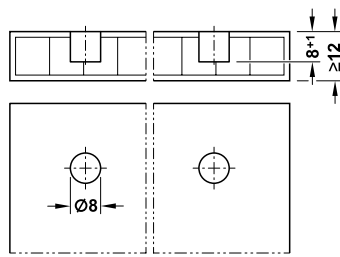
Material	Finish	Art.No.
Zinc alloy	Bright	262.11.113

Packing: 100 or 1.500 or 120.000 pcs.

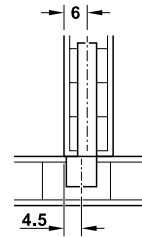
Drilling pattern



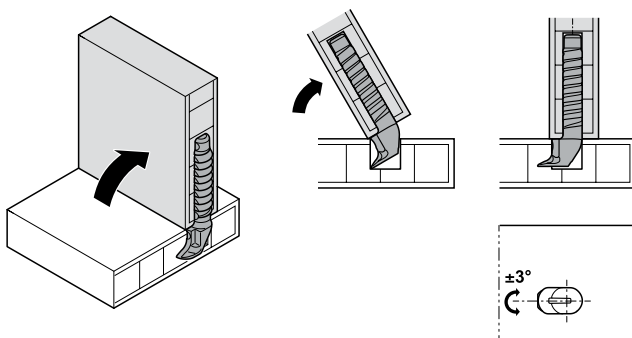
Drill hole in drawer side



Drill hole in front panel



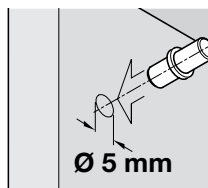
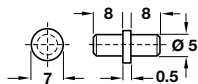
Installation



Tolerance for aligning the claw: $\pm 3^\circ$

PLUG-IN SHELF SUPPORTS
FOR WOODEN SHELVES

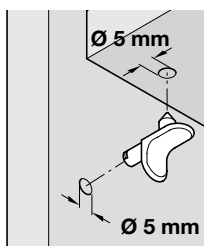
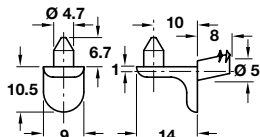
Shelf support, plug in, for Ø5 mm holes



- > With collar
- > For Ø 5 mm hole
- > Load carrying capacity 80 kg*
- > Steel

Finish	Art.No.
Bright galvanized	282.43.905
Packing: 100 or 1.000 or 5.000 pcs.	

Shelf support, plug in, for 5 mm holes



- > With recessed seat, twin grooves and shelf-fixing lug
- > For Ø5 mm hole
- > Load carrying capacity 125 kg*
- > Zinc alloy

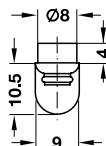
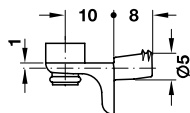
Finish	Art.No.
Bright Galvanized	282.24.720
Packing: 100 or 500 or 2.000 pcs.	



Load carrying capacity applies to 4 shelf supports bearing an evenly distributed load. Testing was carried out according to DIN EN 1727: 1998-06. Mechanical safety requirements for shelf supports.

PLUG-IN SHELF SUPPORTS
FOR GLASS SHELVES

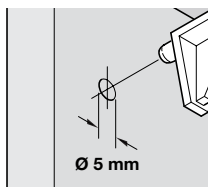
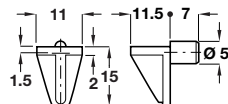
Shelf supports for glass shelves, for plug fitting into Ø5 mm drill hole



- > Version: With 2 grooves, with plastic support
- > Load bearing capacity: 6.25 kg per piece, i.e. 25 kg load bearing capacity when using 4 shelf supports, tested with 1.7 kg plate for impact test in compliance with DIN EN 16337:2013-08
- > Material: Zinc alloy, Support: Plastic
- > Colour: Support: Transparent
- > Installation: For plug fitting into drill hole Ø5 mm

Finish	Art.No.
Nickel plated	282.24.732
Packing: 100 or 500 or 1.500 pcs.	

Shelf supports for glass shelves, for plug fitting into Ø5 mm drill hole



- > Material: Plastic
- > Installation: For plug fitting into drill hole Ø5 mm

Finish	Art.No.
White	283.63.715
Packing: 100 or 5.000 pcs.	



HINGES



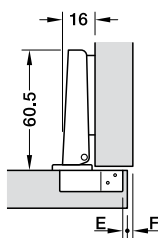
HINGES

METALLA 50 A 110° NON SOFT CLOSING



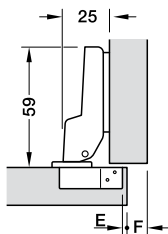
- > Material: Steel cup and hinge arm
- > Finish: Nickel plated
- > Cup fixing: For screw fixing
- > Installation: Door to cabinet with slide-on system
- > Drilling pattern: 48/6 mm
- > Cup diameter: 35 mm
- > Drilling depth: Hinge cup 12 mm
- > Adjustment facility: Side adjustment ± 2 mm
Height adjustment ± 2 mm (via mounting plate)
Depth adjustment -1.5 to 4.5 mm
- > Door thickness: 14-22 mm
- > Cycle test: 10,000 cycles
- > NSS test: 12 hours

Full overlay mounting



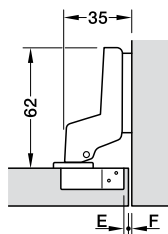
Door overlay mm								
11	12	13	14	15	16	17	18	
				3	4	5	6	0
		3	4	5	6			2
	3	4	5	6				4
Distance to cup E mm				Mounting plate distance mm				
Description		Packing (pcs)		Art.No.				
G0 Slide-on non soft closing		1 or 250		311.90.020				

Half overlay mounting



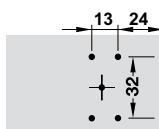
Door overlay mm								
1	2	3	4	5	6	7	8	
				3	4	5	6	0
		3	4	5	6			2
	3	4	5	6				4
Distance to cup E mm				Mounting plate distance mm				
Description		Packing (pcs)		Art.No.				
G0 Slide-on non soft closing		1 or 250		311.90.021				

Inset mounting



Door overlay mm								
-5	-4	-3	-2	-1	0	1	2	
				3	4	5	6	0
		3	4	5	6			2
	3	4	5	6				4
Distance to cup E mm				Mounting plate distance mm				
Description		Packing (pcs)		Art.No.				
G0 Slide-on non soft closing		1 or 250		311.90.022				

Metalla 50 A 110° mounting plate



- > Material: Steel
- > Finish: Nickel plated
- > Adjustment facility: Height adjustment ± 2 mm via slot

Description	Packing (pcs)	Art.No.
H=0 Mounting plate with 4 screw holes	1 or 250	311.98.030

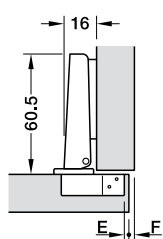
HINGES

METALLA 100 A 110° NON SOFT CLOSING



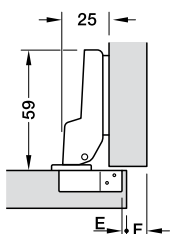
- > Material: Steel cup and hinge arm
- > Finish: Nickel plated
- > Cup fixing: For screw fixing
- > Installation: Door to cabinet with slide-on system
- > Drilling pattern: 48/6 mm
- > Cup diameter: 35 mm
- > Drilling depth: Hinge cup 12 mm
- > Adjustment facility: Side adjustment ± 2 mm
Height adjustment ± 2 mm (via mounting plate)
Depth adjustment -1.5 to 4.5 mm
- > Door thickness: 14-22 mm
- > Cycle test: 20,000 cycles
- > NSS test: 24 hours

Full overlay mounting



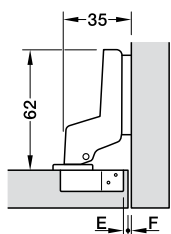
Door overlay mm								
10	11	12	13	14	15	16	17	18
					3	4	5	6
			3	4	5	6		
	3	4	5	6				
Distance to cup E mm				Mounting plate distance mm				
Description								Art.No.
G1 Slide-on non soft closing								311.90.760

Half overlay mounting



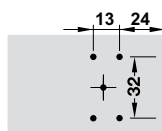
Door overlay mm							
1	2	3	4	5	6	7	8
				3	4	5	6
		3	4	5	6		
	3	4	5	6			
Distance to cup E mm				Mounting plate distance mm			
Description						Packing (pcs)	Art.No.
G1 Slide-on non soft closing						1 or 250	311.90.761

Inset mounting



Door overlay mm							
-5	-4	-3	-2	-1	0	1	2
				3	4	5	6
		3	4	5	6		
	3	4	5	6			
Distance to cup E mm				Mounting plate distance mm			
Description						Packing (pcs)	Art.No.
G1 Slide-on non soft closing						1 or 250	311.90.762

Metalla 100 A 110° mounting plate



- > Material: Steel
- > Finish: Nickel plated
- > Adjustment facility: Height adjustment ± 2 mm via slot

Description	Packing (pcs)	Art.No.
H=0 Mounting plate with 4 screw holes	1 or 250	311.98.851

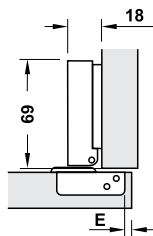
HINGES

METALLA 120 A 105° SOFT CLOSING



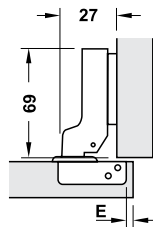
- > Material: Steel cup and hinge arm
- > Finish: Nickel plated
- > Cup fixing: For screw fixing
- > Installation: Door to cabinet with slide-on system
- > Drilling pattern: 48/6 mm
- > Cup diameter: 35 mm
- > Drilling depth: Hinge cup 12 mm
- > Adjustment facility: Side adjustment ± 3 mm
Height adjustment ± 2 mm (via mounting plate)
Depth adjustment ± 3 mm
- > Door thickness: 14-24 mm
- > Cycle test: 20,000 cycles
- > NSS test: 24 hours

Full overlay mounting



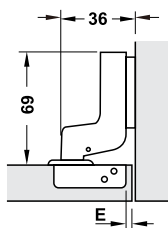
Door overlay mm									
10	11	12	13	14	15	16	17	18	
				3	4	5	6		0
		3	4	5	6	7			2
3	4	5	6	7					4
Distance to cup E mm					Mounting plate distance mm				
Description		Packing (pcs)			Art.No.				
G1 Slide-on with soft closing		1 or 250			311.04.540				

Half overlay mounting



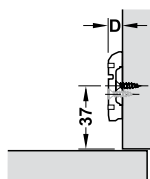
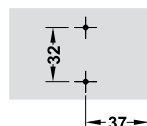
Door overlay mm									
2	3	4	5	6	7	8	9	10	
				3	4	5	6	7	0
		3	4	5	6	7			2
3	4	5	6	7					4
Distance to cup E mm					Mounting plate distance mm				
Description		Packing (pcs)			Art.No.				
G1 Slide-on with soft closing		1 or 250			311.04.541				

Inset mounting



Door overlay mm									
-7	-6	-5	-4	-3	-2	-1	0	1	
				3	4	5	6	7	0
		3	4	5	6	7			2
3	4	5	6	7					4
Distance to cup E mm					Mounting plate distance mm				
Description		Packing (pcs)			Art.No.				
G1 Slide-on with soft closing		1 or 250			311.04.542				

Metalla 120 A 110° mounting plate



- > Material: Steel
- > Finish: Nickel plated
- > Adjustment facility: Height adjustment ± 2 mm via slot

Description	Packing (pcs)	Art.No.
H=0 Mounting plate with 4 screw holes	1 or 250	311.71.768

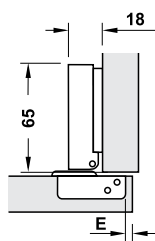
HINGES

METALLA 120 SM 105°



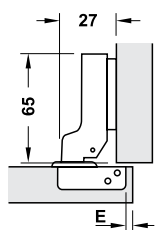
- > Material: Steel cup and hinge arm
- > Finish: Nickel plated
- > Cup fixing: For screw fixing
- > Installation: Door to cabinet with SM quick fixing system
- > Drilling pattern: 48/6 mm
- > Cup diameter: 35 mm
- > Drilling depth: Hinge cup 12 mm
- > Adjustment facility: Side adjustment ± 3 mm
Height adjustment ± 2 mm (via mounting plate)
Depth adjustment ± 3 mm
- > Door thickness: 14-24 mm
- > Cycle test: 20,000 cycles - NSS test: 24 hours

Full overlay mounting



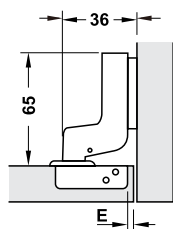
Door overlay mm									
10	11	12	13	14	15	16	17	18	
				3	4	5	6	7	0
		3	4	5	6	7			2
3	4	5	6	7					4
Distance to cup E mm					Mounting plate distance mm				
Description		Packing (pcs)		Art.No.					
Soft closing		1 or 250		311.04.470					
Non soft closing		1 or 250		311.04.490					

Half overlay mounting



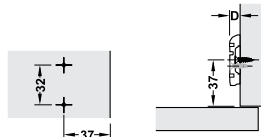
Door overlay mm									
1	2	3	4	5	6	7	8	9	
				3	4	5	6	7	0
		3	4	5	6	7			2
3	4	5	6	7					4
Distance to cup E mm					Mounting plate distance mm				
Description		Packing (pcs)		Art.No.					
Soft closing		1 or 250		311.04.471					
Non soft closing		1 or 250		311.04.491					

Inset mounting



Door overlay mm									
-8	-7	-6	-5	-4	-3	-2	-1	0	
				3	4	5	6	7	0
		3	4	5	6	7			2
3	4	5	6	7					4
Distance to cup E mm					Mounting plate distance mm				
Description		Packing (pcs)		Art.No.					
Soft closing		1 or 250		311.04.472					
Non soft closing		1 or 250		311.04.492					

Metalla 120 SM 105° mounting plate



- > Material: Steel
- > Finish: Nickel plated
- > Adjustment facility: Height adjustment ± 2 mm via slot

Description	Packing (pcs)	Art.No.
H=0 Mounting plate with 4 screw holes	1 or 250	311.71.758

HINGES

FACE FRAME HINGE 105°

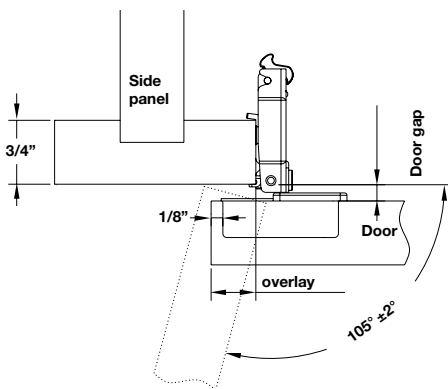


- > Material: Steel cup and hinge arm
- > Finish: Nickel plated
- > Cup fixing: For screw fixing / with M8 press dowel premounted
- > Installation: Door to frame with clip-on system
- > Drilling pattern: 45/9.5 mm
- > Cup diameter: 35 mm
- > Drilling depth: 12 mm
- > Adjustment facility:
 - + Side adjustment via lateral screw ± 1.5 mm (1/2" overlay)
 - + Side adjustment via cam screw ± 1.9 mm (1-1/4" overlay)
 - + Depth adjustment ± 3 mm
- > Door thickness: 14-26 mm
- > Tested to ANSI KCMA A161.1

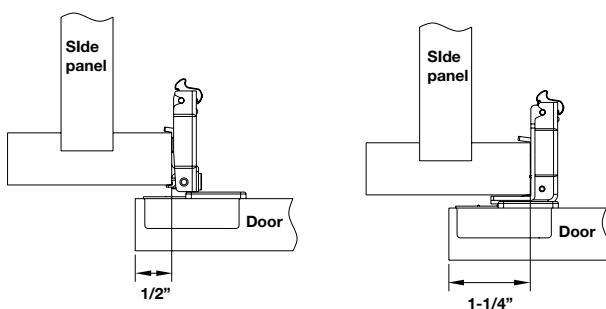
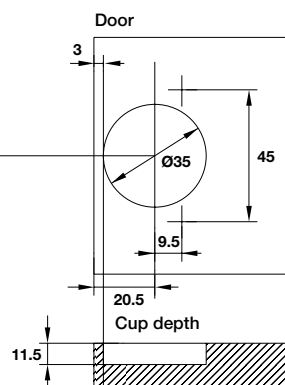


Description	Overlay	Screw fixing	Dowel fixing
Soft closing	1/2"	315.32.710	315.32.714
	1-1/4"	315.32.711	315.32.715
Non soft closing	1/2"	315.32.712	315.32.716
	1-1/4"	315.32.713	315.32.717

Installation dimension



Drilling dimension



DRAWER RUNNERS



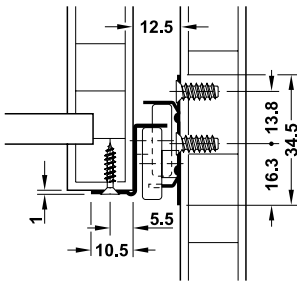
ROLLER RUNNERS
SINGLE EXTENSION

Load bearing up to 15kg. Do indicate material thickness 0.85mm



- > Version: Type of closing: Self closing, guided by: 4 friction bearing mounted polyamide rollers
- > Adjustment facility: Height adjustment via slotted holes in cabinet rail
- > Material: Steel
- > Dimensions: max. drawer width = internal cabinet width -25 mm
- > Mounting: At drawer, surface mounted
- > Side stability provided by automatic guidance on the right hand side

Installation

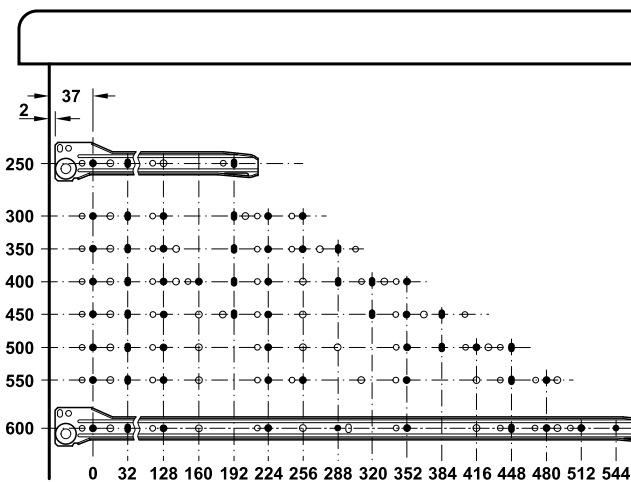


Installation length (mm)	Loading capacity (kg)	Extension length (mm)	White, RAL 9003
300	15	215	431.16.701
350	15	265	431.16.702
400	15	305	431.16.703
450	15	355	431.16.704
500	15	405	431.16.705

Packing: 1 or 20 pairs.

① max. drawer width = internal cabinet width -25 mm

Drilling pattern



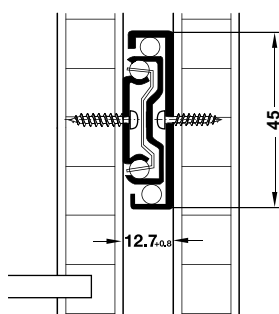
BALL BEARING RUNNERS
45 MM WITHOUT SOFT CLOSING

Full extension. Rail width 45mm. Loading capacity up to 25kg



- > Material: Cold rolled steel
- > Finish: Zinc plated, Electrophoresis black
- > Version: With stay-closed feature for holding in closed position
- > Installation: At drawer, side mounted
- > Tested to DIN EN 15338-2007 Grade 1 (20,000 cycles)

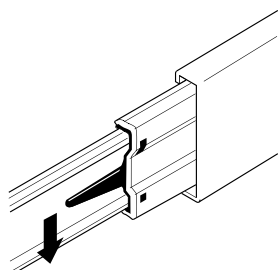
Installation



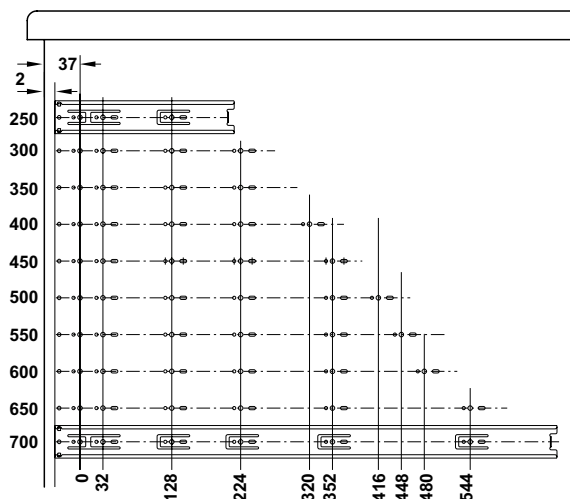
Installation length (mm)	Extension length (mm)	Load bearing capacity (kg)	Zinc plated	Electrophoresis black
250	275	15	420.48.910	420.48.310
300	325	20	420.48.911	420.48.311
350	375	20	420.48.912	420.48.312
400	425	25	420.48.913	420.48.313
450	475	25	420.48.914	420.48.314
500	525	25	420.48.915	420.48.315
550	575	25	420.48.916	420.48.316
600	625	20	420.48.917	420.48.317

Packing: 1 or 15 pairs.

Side mounted



Drilling pattern

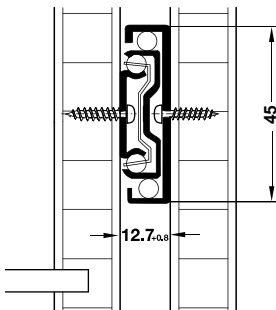


BALL BEARING RUNNERS
45 MM WITH SOFT CLOSING

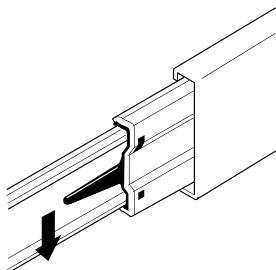
Full extension. Rail width 45mm. Loading capacity up to 22kg



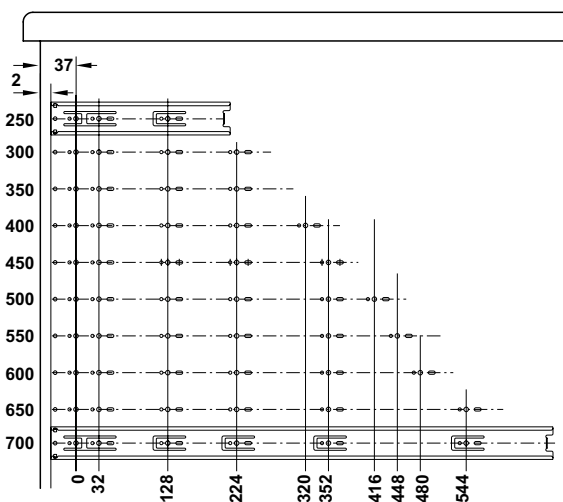
Installation



Side mounted



Drilling pattern



- > Material: Steel
- > Finish: Zinc plated, Electrophoresis black
- > Version: With soft closing mechanism
- > Installation: At drawer, side mounted
- > Tested to DIN EN 15338-2007 Grade 1 (20,000 cycles)

Installation length (mm)	Extension length (mm)	Load bearing capacity (mm)	Zinc plated	Electrophoresis black
300	290	20	420.48.971	420.48.371
350	350	20	420.48.972	420.48.372
400	400	20	420.48.973	420.48.373
450	450	22	420.48.974	420.48.374
500	500	20	420.48.975	420.48.375
550	550	20	420.48.976	420.48.376
600	600	20	420.48.977	420.48.377

Packing: 1 or 15 pairs.

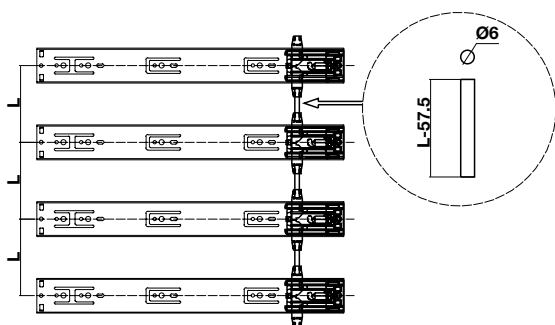
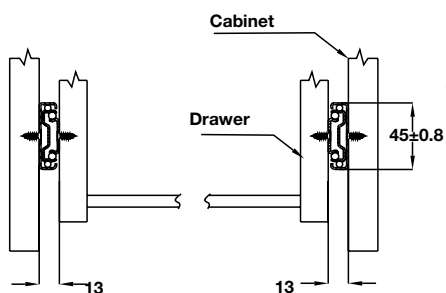
RUNNERS

MATRIX BBR WITH INTERLOCK



- > Material: steel
- > Finish: galvanized / electrophoresis black
- > Guided by: 2 ball cages
- > Fitting to side panel: screwing into 32 mm series drill holes
- > Fitting to drawer: screw fitting, lateral installation
- > Height: 45 mm
- > Installation: side mounted
- > Loading capacity: Max.35 kg
- > Tested to DIN EN15338:2007 Grade 2 (50,000 cycles)
- > Certified per ASTM F2057-23 Standard

Installation

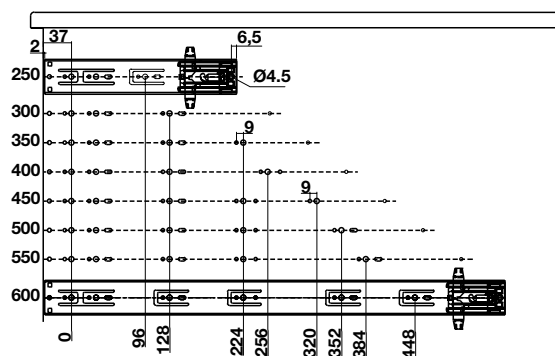


Length	Load	Soft closing, bright	Soft closing, black
250 mm	20 kg	420.50.060	420.50.070
300 mm	25 kg	420.50.061	420.50.071
350 mm	28 kg	420.50.062	420.50.072
400 mm	30 kg	420.50.063	420.50.073
450 mm	35 kg	420.50.064	420.50.074
500 mm	35 kg	420.50.065	420.50.075
550 mm	30 kg	420.50.066	420.50.076
600 mm	25 kg	420.50.067	420.50.077

Length	Load	Self closing, bright	Self closing, black
250 mm	20 kg	420.50.040	420.50.050
300 mm	25 kg	420.50.041	420.50.051
350 mm	28 kg	420.50.042	420.50.052
400 mm	30 kg	420.50.043	420.50.053
450 mm	35 kg	420.50.044	420.50.054
500 mm	35 kg	420.50.045	420.50.055
550 mm	30 kg	420.50.046	420.50.056
600 mm	25 kg	420.50.047	420.50.057

Packing: 1 or 5 pairs.

Drilling pattern



Description	Art. No
1 meter connection rod	420.50.999

Packing: 1 piece.

RUNNERS

MATRIX BBR WITH INTERLOCK






> Only one drawer can be opened at a time

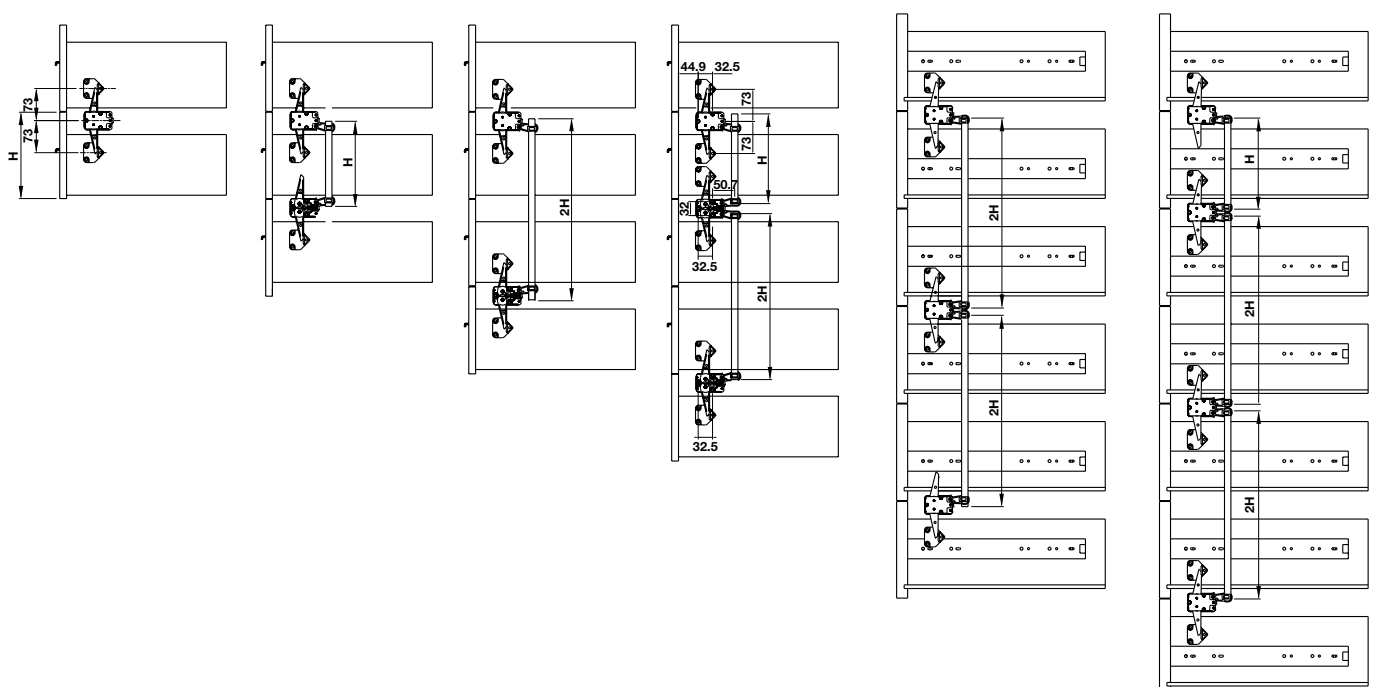
Description	Art. No
2 drawers	237.43.140
3 drawers	237.43.141
4 drawers	237.43.142
5 drawers	237.43.143
6 drawers	237.43.144
7 drawers	237.43.145

Order reference: Please order connection rod accordingly to required length.

COMPONENT REQUIRED FOR DRAWERS APPLICATIONS

Description		2 drawers	3 drawers	4 drawers	5 drawers	6 drawers	7 drawers	Art. No
Drawer clips		2	3	4	5	6	7	237.43.120
Snapper		1	2	2	3	3	4	237.43.110
Linkage arm		-	2	2	4	4	6	237.43.130
Arresting pin nut		-	2	2	4	4	6	237.43.150
Arresting pin screw		-	2	2	4	4	6	237.43.900
Connection rod 600 mm		-	1	-	-	-	-	234.87.851
Connection rod 800 mm		-	-	1	-	-	-	234.87.852
Connection rod 1000 mm		-	-	-	1	1	1	234.87.853

Installation



DRAWER RUNNERS

UMS25 CONCEALED RUNNER

Single extension with load bearing capacity up to 25kg, coupling installation

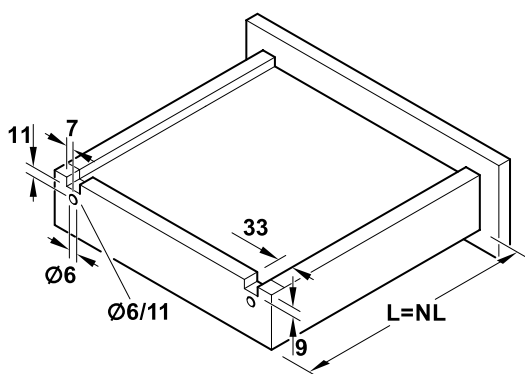
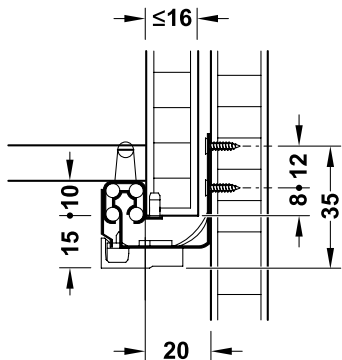


- > Material: Steel
- > Finish: Galvanized
- > Dimension: Max. drawer width SB = internal cabinet width - 40 mm + 2 x drawer side panel thickness
- > Side panel thickness: 16 mm
- > Certified per DIN EN 15338-2007 Grade 2 (50,000 cycles)

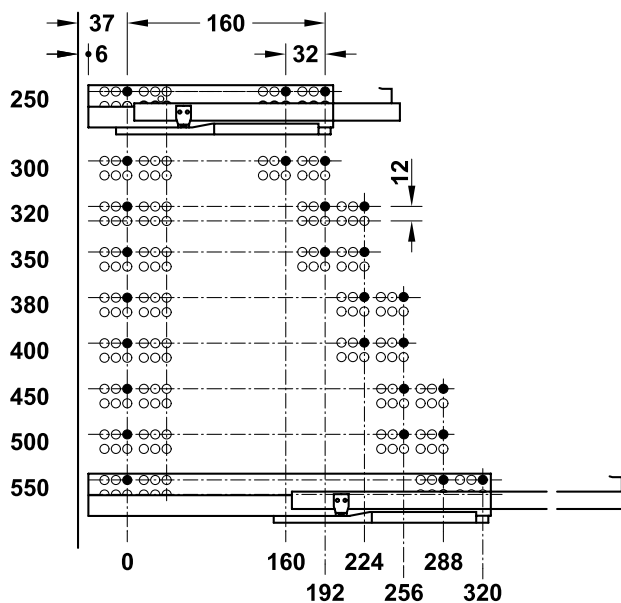
Drawer length (mm)	Cabinet depth (mm)	Extension length (mm)	Soft closing	Push to open
250	268	184	433.07.225	433.07.170
300	318	234	433.07.230	433.07.171
350	368	272	433.07.235	433.07.173
400	418	310	433.07.240	433.07.175
450	468	348	433.07.245	433.07.176
500	518	386	433.07.250	433.07.177
550	568	436	433.07.255	433.07.178

Packing: 1 or 10 pairs.

Installation



Drilling pattern



DRAWER RUNNERS

UMS25 CONCEALED RUNNER

Single extension with load bearing capacity up to 25kg, pin installation

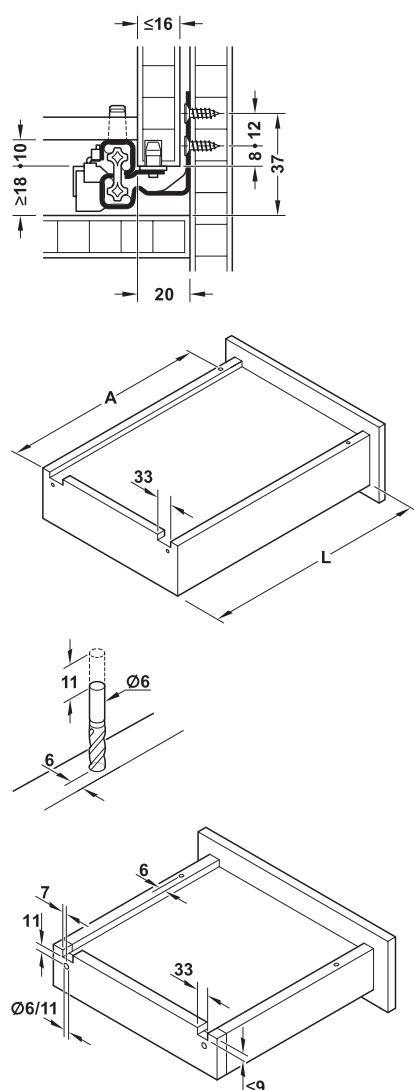


- > Material: Steel
- > Finish: Galvanized
- > Dimension: Max. drawer width SB = internal cabinet width - 40 mm + 2 x drawer side panel thickness
- > Side panel thickness: 16 mm

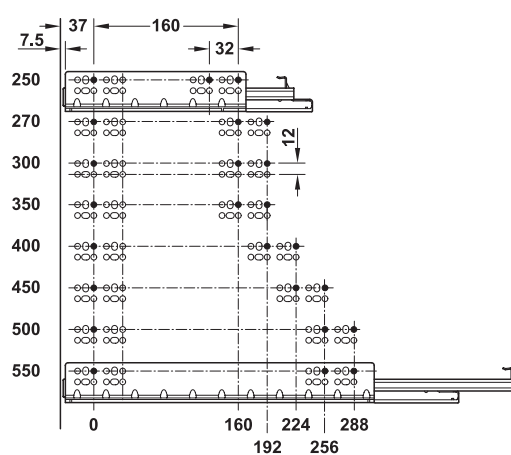
Drawer length (mm)	Cabinet depth (mm)	Extension length (mm)	Soft closing
250	268	184	433.08.225
300	318	234	433.08.230
350	368	272	433.08.235
400	418	310	433.08.240
450	468	348	433.08.245
500	518	386	433.08.250
550	568	436	433.08.255

Packing: 1 or 10 pairs.

Installation



Drilling pattern



DRAWER RUNNERS

UMS30 CONCEALED RUNNER

Full extension with load bearing capacity up to 30kg, coupling installation

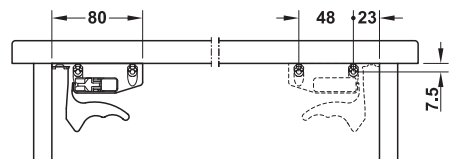
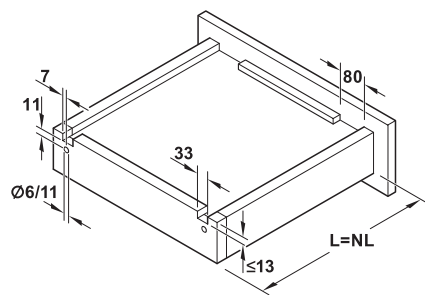
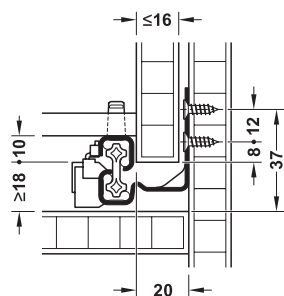


- > Material: Steel
- > Finish: Galvanized
- > Side panel thickness: 16mm
- > Soft closing with oil damper
- > Certified per DIN EN 15338-2007 Grade 3 (60,000 cycles)

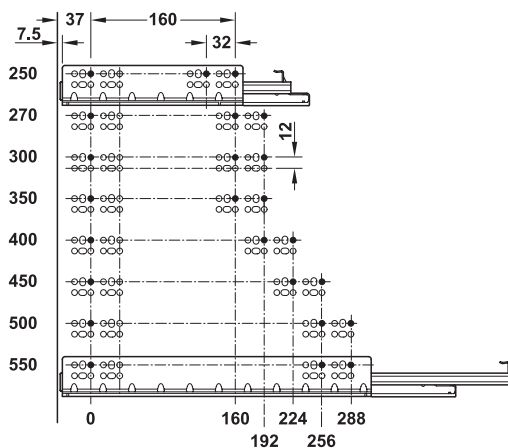
Drawer length (mm)	Min. Cabinet depth (mm)	Soft closing	Push to open
250	263	433.07.499	433.07.070
300	313	433.07.501	433.07.072
350	363	433.07.502	433.07.073
400	413	433.07.503	433.07.074
450	463	433.07.504	433.07.075
500	513	433.07.505	433.07.076
550	563	433.07.506	433.07.077

Packing: 1 or 6 pairs.

Installation



Drilling pattern



DRAWER RUNNERS

UMS30 CONCEALED RUNNER

Full extension with load bearing capacity up to 30kg, pin installation

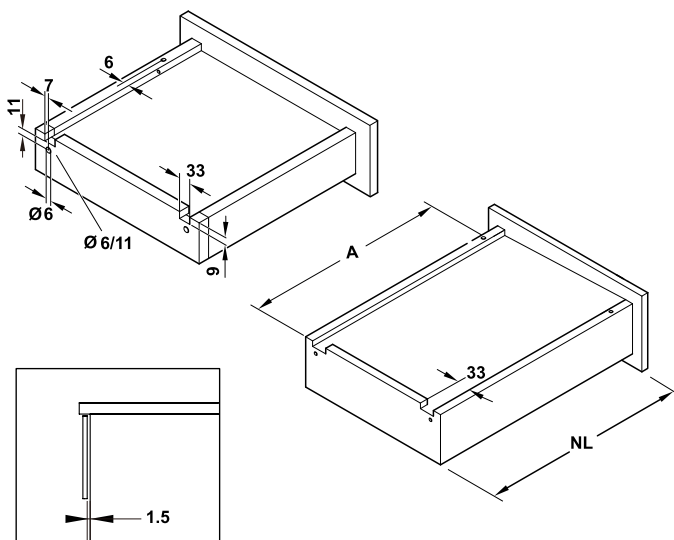
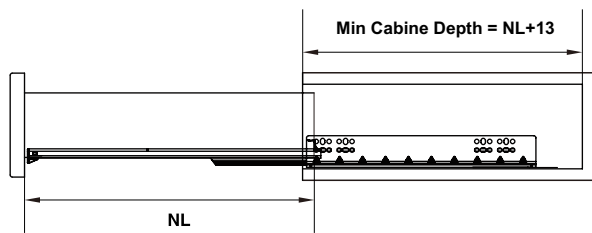
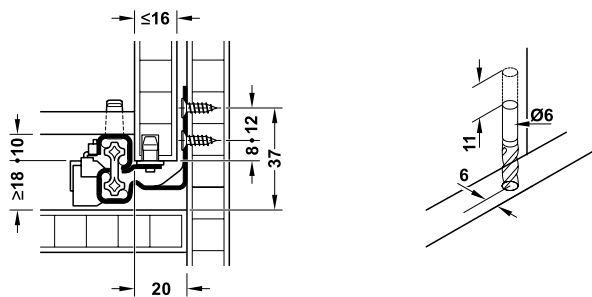
- > Material: Steel
- > Finish: Galvanized
- > Side panel thickness: 16mm
- > Soft closing with oil damper



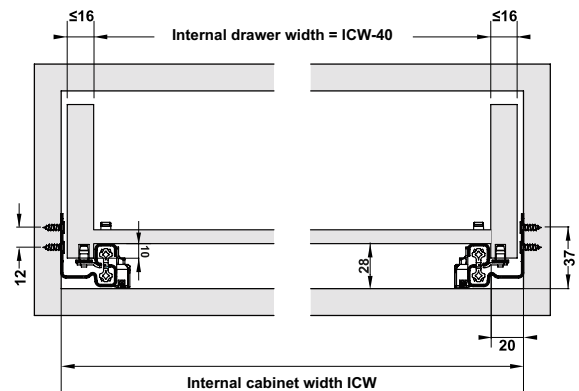
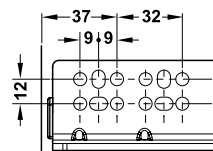
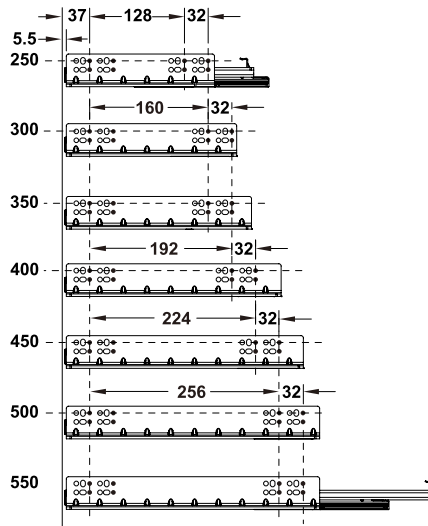
Drawer length (mm)	Min. Cabinet depth (mm)	Art.No.
250	263	433.08.525
300	313	433.08.530
350	363	433.08.535
400	413	433.08.540
450	463	433.08.545
500	513	433.08.550
550	563	433.08.555

Packing: 1 or 6 pairs.

Installation



Drilling pattern



FACE FRAME UNDERMOUNT RUNNER

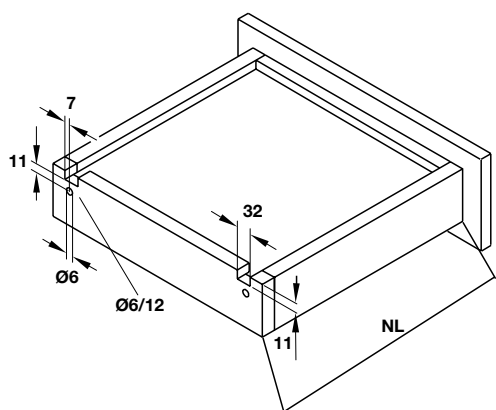
FULL EXTENSION WITH LOAD BEARING CAPACITY UP TO 35KG, FOR FACE FRAME CABINET



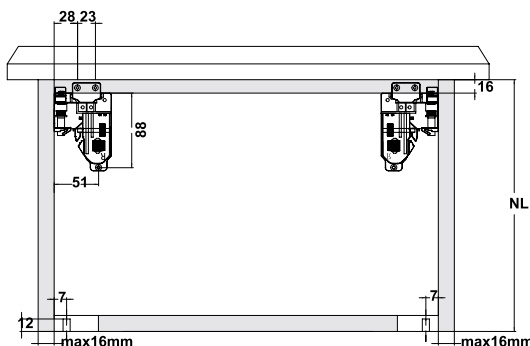
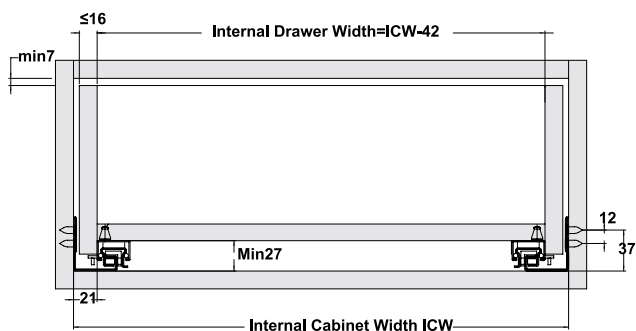
- > Material: Steel
- > Finish: Galvanized
- > Side panel thickness: 16 mm
- > Adjustment: Height 0-3 mm, side +/- 1.5 mm, depth: 0-3 mm
- > Soft closing function
- > Tested to DIN EN 15338-2007 Grade 3 (60,000 cycles)

Drawer length NL (mm)	Min. Internal cabinet depth (mm)	Max. Internal cabinet depth (mm)	Art.No.
229 (9")	256	276	433.32.800
305 (12")	342	362	433.32.801
381 (15")	418	438	433.32.803
457 (18")	494	514	433.32.805
533 (21")	570	590	433.32.807
609 (24")	646	666	433.32.809

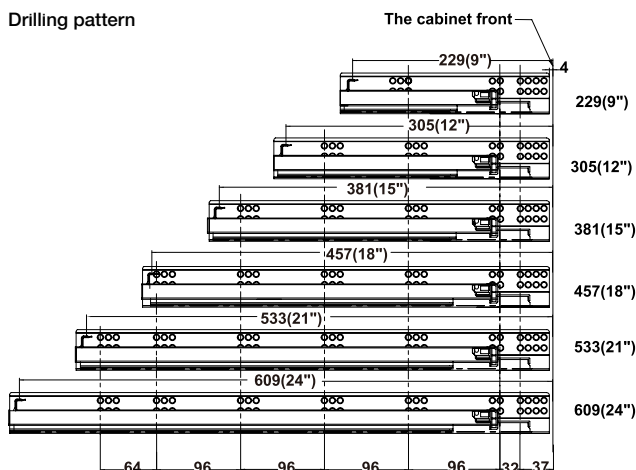
Installation



Locking handle



Drilling pattern



Version	Art.No.
3D	433.32.991

Packing: 1 or 30 pairs.

Back mounting bracket for face frame under mount runner



Material	Art.No.
Steel	433.32.992

Packing: 1 or 60 pairs.

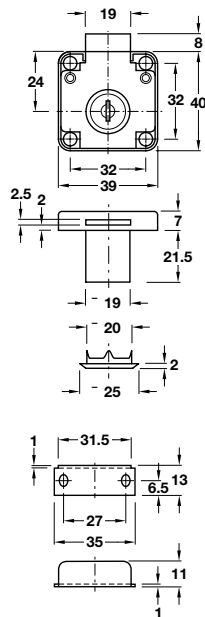


LOCKING SYSTEM



LOCKING SYSTEM

Deadbolt rim lock

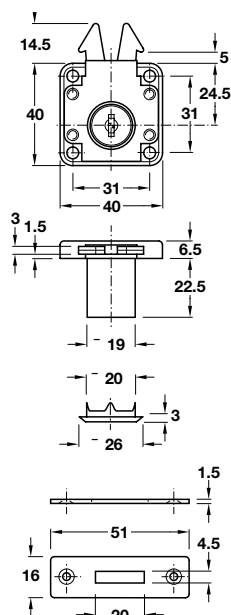


- > Area of application: Suitable for mass produced furniture
- > Material: Zinc alloy
- > Finish: Chrome plated polished
- > Backset D: 24 mm
- > Cylinder length: 21 mm
- > Cylinder Ø: 19 mm
- > Locking system: With 6 plate levers
- > Key change: 120 different key changes possible
- > Installation: For screw fixing

Mounting (Drawer version)	Art.No.
22 mm	232.01.220
30 mm	232.01.230

Supplied with: 1 piece deadbolt rim lock, 1 piece cylinder rosette, 1 piece angle striking plate and 2 piece folding keys.
Packing: 1 or 12 pieces

Roller Shutter rim lock



- > Area of application: For tambour doors
- > Material: Zinc alloy
- > Finish: Chrome plated polished
- > Backset D: 24.5 mm
- > Cylinder length: 22 mm
- > Cylinder Ø: 19 mm
- > Locking system: With 6 plate levers
- > Key change: 120 different key changes possible
- > Installation: For screw fixing

Mounting	Art.No.
Drawer version	232.01.240

Supplied with: 1 piece roller shutter rim lock, 1 piece cylinder rosette, 1 piece angle striking plate and 2 piece folding keys.
Packing: 1 or 12 pieces

LOCKING SYSTEM

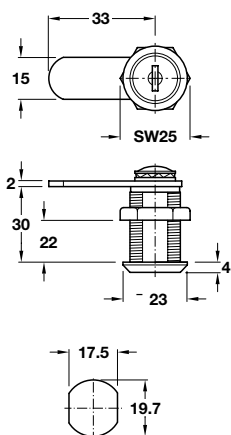
Cam lock with straight cam



- > Material: Zinc alloy
- > Finish: Chrome plated polished
- > Closure travel: 90°
- > Locking system: With 6 plate levers
- > Key change: 120 different key changes possible
- > Installation: For screw fixing with hexagon nut (hole pattern 19.7 x 17.5 mm)

For door thickness (mm)	Art.No.
max. 22	235.19.211

Supplied 1 piece cam lock, 1 piece locking cam - straight, 1 piece lock washer, 1 piece fixing nut (pre-mounted) and 2 piece folding keys.
Packing: 1 or 12 pieces



Hole pattern for metal doors

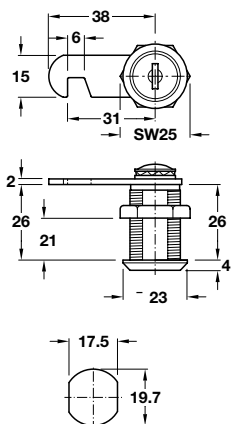
Cam lock with hook cam



- > Material: Zinc alloy
- > Finish: Chrome plated polished
- > Closure travel: 90°
- > Locking system: With 6 plate levers
- > Key change: 120 different key changes possible
- > Installation: For screw fixing with hexagon nut (hole pattern 19.7 x 17.5 mm)

For door thickness (mm)	Art.No.
max. 17	235.19.200

Supplied 1 piece deadbolt rim lock, 1 piece cylinder rosette, 1 piece angle striking plate and 2 piece folding keys
Packing: 1 or 12 pieces



Hole pattern for metal doors

LOCKING SYSTEM

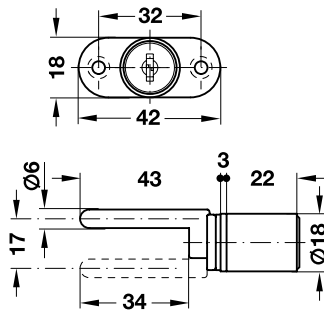
Central locking rotary cylinder lock



- > Material: Zinc alloy
- > Finish: Chrome plated polished
- > Cylinder length: 22 mm
- > Cylinder Ø: 19 mm
- > Closure travel: 180°
- > Locking system: With 6 plate levers
- > Key change: 120 different key changes possible
- > Installation: For screw fixing

Lift mm	Art.No.
With 600mm locking bar	
12	234.99.240
With 800mm locking bar	
17	234.99.241

Supplied 1 piece central locking rotary cylinder lock, 1 piece cylinder rosette, 1 piece central locking bar, 2 pieces bar guides, 3 pieces arresting pins, 3 pieces drawer locking plates and 2 piece folding keys.
Packing: 1 or 12 pieces



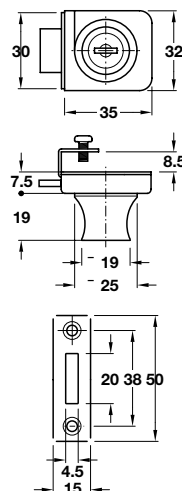
Glass door deadbolt lock



- > Material: Zinc alloy
- > Finish: Chrome plated polished
- > For glass door thickness: 4–8 mm
- > Locking system: With 6 plate levers
- > Key change: 120 different key changes possible
- > Installation: For clip fixing

Art.No.
233.20.210

Supplied 1 piece glass clamp lock, 2 pieces M4 plastic screws, 1 piece striking plate and 2 pieces folding keys.
Packing: 1 or 12 pieces



HÄFELE LOCATIONS.

Always at your side.

Häfele VN LLC.

Lầu 3, Tòa nhà Ree,
Số 9 Đoàn Văn Bơ, Phường 13,
Quận 4, TP. Hồ Chí Minh
Phone: (+84 28) 39 113 113
Email: info@hafele.com.vn

Häfele HCMC Design Center

46A Nguyễn Văn Trỗi, Phường 15,
Quận Phú Nhuận, TP. Hồ Chí Minh
Phone: +84 28 39 977 300

Häfele Ha Noi Design Center & Office

128 Thụy Khuê, Quận Tây Hồ, Hà Nội
Phone: +84 4 38 500 400

Häfele Da Nang Design Center & Office

209 Điện Biên Phủ, P. Chính Gián,
Quận Thanh Khê, TP. Đà Nẵng
Phone: +02363 584 988







www.hafele.com.vn

Häfele VN LLC.

Lầu 3, Tòa nhà Ree,
Số 9 Đoàn Văn Bơ, Phường 13,
Quận 4, TP. Hồ Chí Minh
Phone: (+84 28) 39 113 113
Email: info@hafele.com.vn

Häfele HCMC Design Center

46A Nguyễn Văn Trỗi, Phường 15,
Quận Phú Nhuận, TP. Hồ Chí Minh
Phone: +84 28 39 977 300

Häfele Ha Noi Design Center & Office

128 Thụy Khuê, Quận Tây Hồ, Hà Nội
Phone: +84 4 38 500 400

Häfele Da Nang Design Center & Office

209 Điện Biên Phủ, P. Chính Gián,
Quận Thanh Khê, TP. Đà Nẵng
Phone: +02363 584 988



SCAN THE CODES FOR / QUÉT MÃ ĐỂ XEM:



WARRANTY
REGISTRATION & POLICY

ĐĂNG KÝ BẢO HÀNH &
CHÍNH SÁCH BẢO HÀNH